

# TOILET ROOM/STALLS SUGGESTED LOCATIONS

## 4.17 Toilet Stalls

**4.17.3\* Size and Arrangement.** The size and arrangement of the standard toilet stall shall comply with Fig. 30(a) Standard Stall. Standard toilet stalls with a minimum depth of 56" (see fig. 30(a)) shall have wall-mounted water closets. If the depth of a standard toilet stall is increased at least 3", then a floor-mounted water closet may be used. Arrangements shown for standard toilet stalls may be reversed to allow either a left- or right- hand approach. Additional stalls shall be provided in conformance with 4.22.4.

**EXCEPTION:** In instances of alteration work where provision of a standard stall (Fig.30(a)) is technically infeasible or where plumbing code requirements prevent combining existing stalls to provide space, either alternate stall (Fig. 30(b)) may be provided in lieu of the standard stall.

**4.17.5\* Doors.** Toilet stall doors, included door hardware, shall comply with 4.12. If toilet stall approach is from the latch side of the stall door clearance between the door side of the stall and any obstruction may be reduced to a minimum of 42" (Fig. 30)

**4.17.6 Grab bars.** Grab bars complying with the length and positioning shown in Fig. 30(a), (b), (c), and (d) shall be provided. Grab bars may be mounted with any desired method as long as they have a gripping surface at the locations shown and do not obstruct the required clear floor area. Grab bars shall comply with 4.26.

### 4.17 Toilet Stalls.

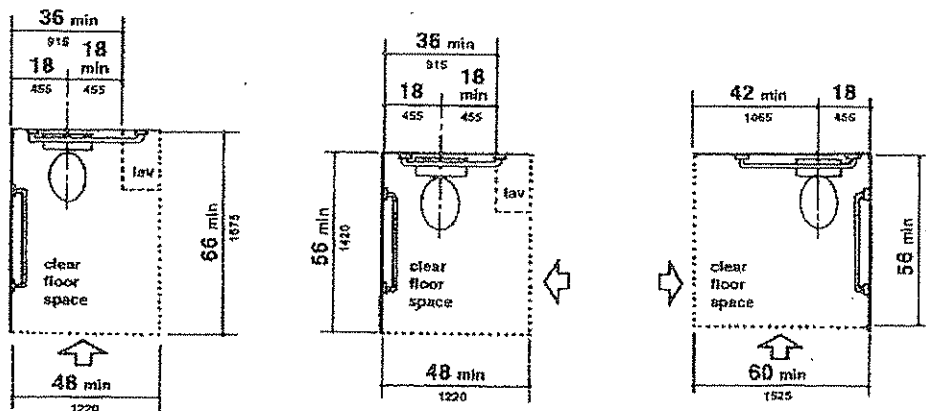


Fig. 28

Clear Floor Space at Water Closets

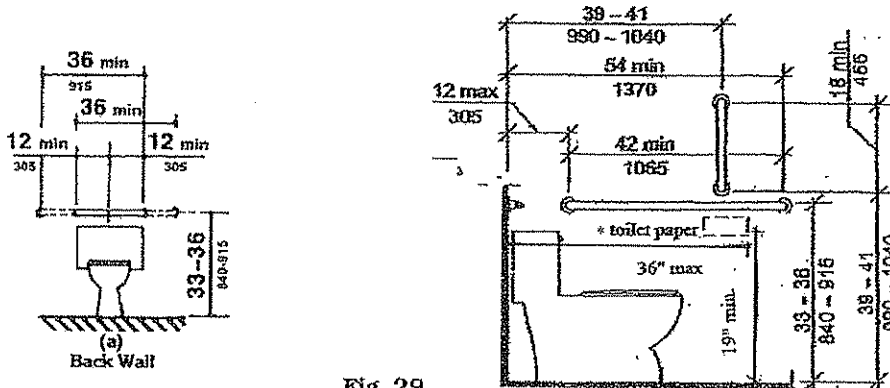


Fig. 29

Grab Bars at Water Closets

\* 7"-9" from front of stool to cl of roll closest to stool

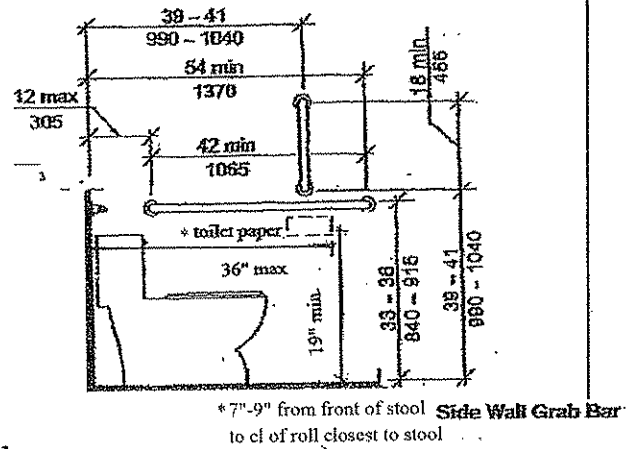
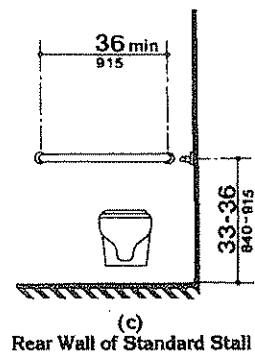
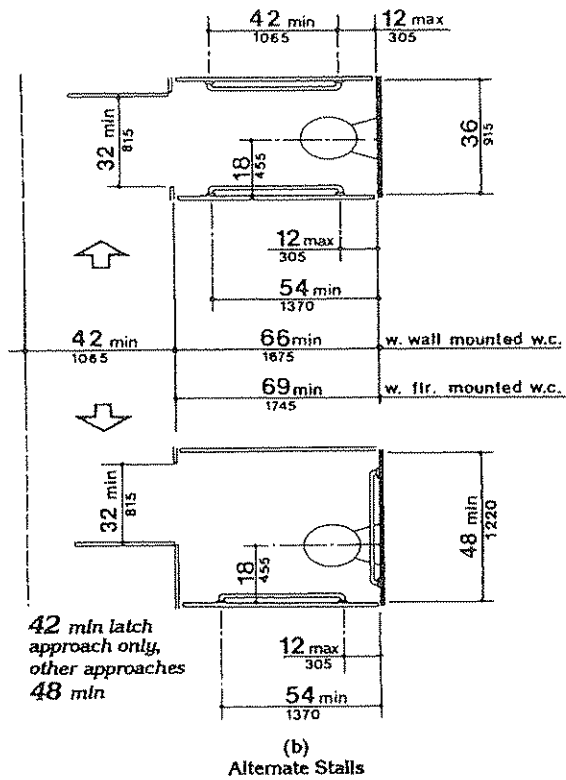
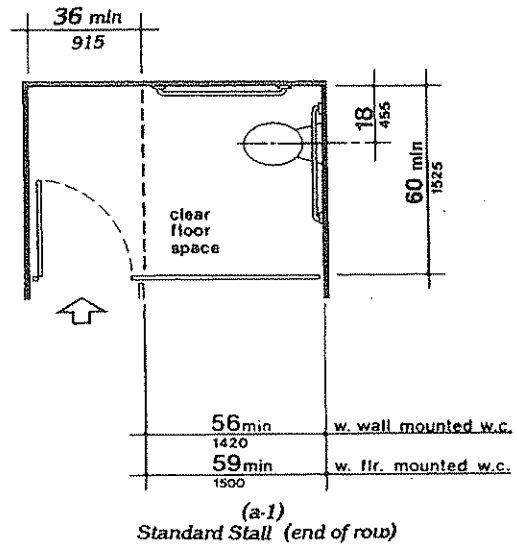
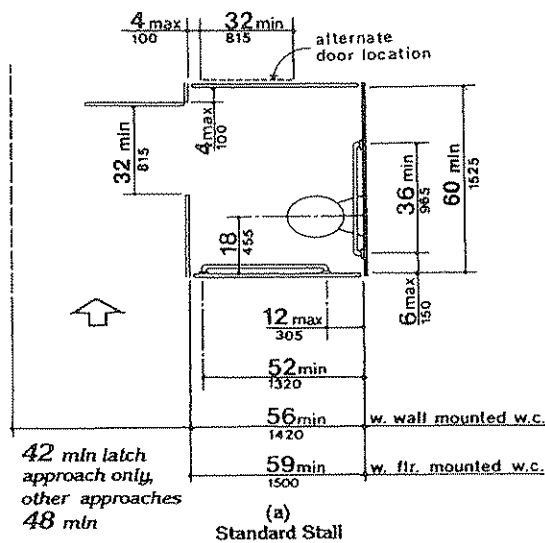


Fig. 30 Toilet Stalls